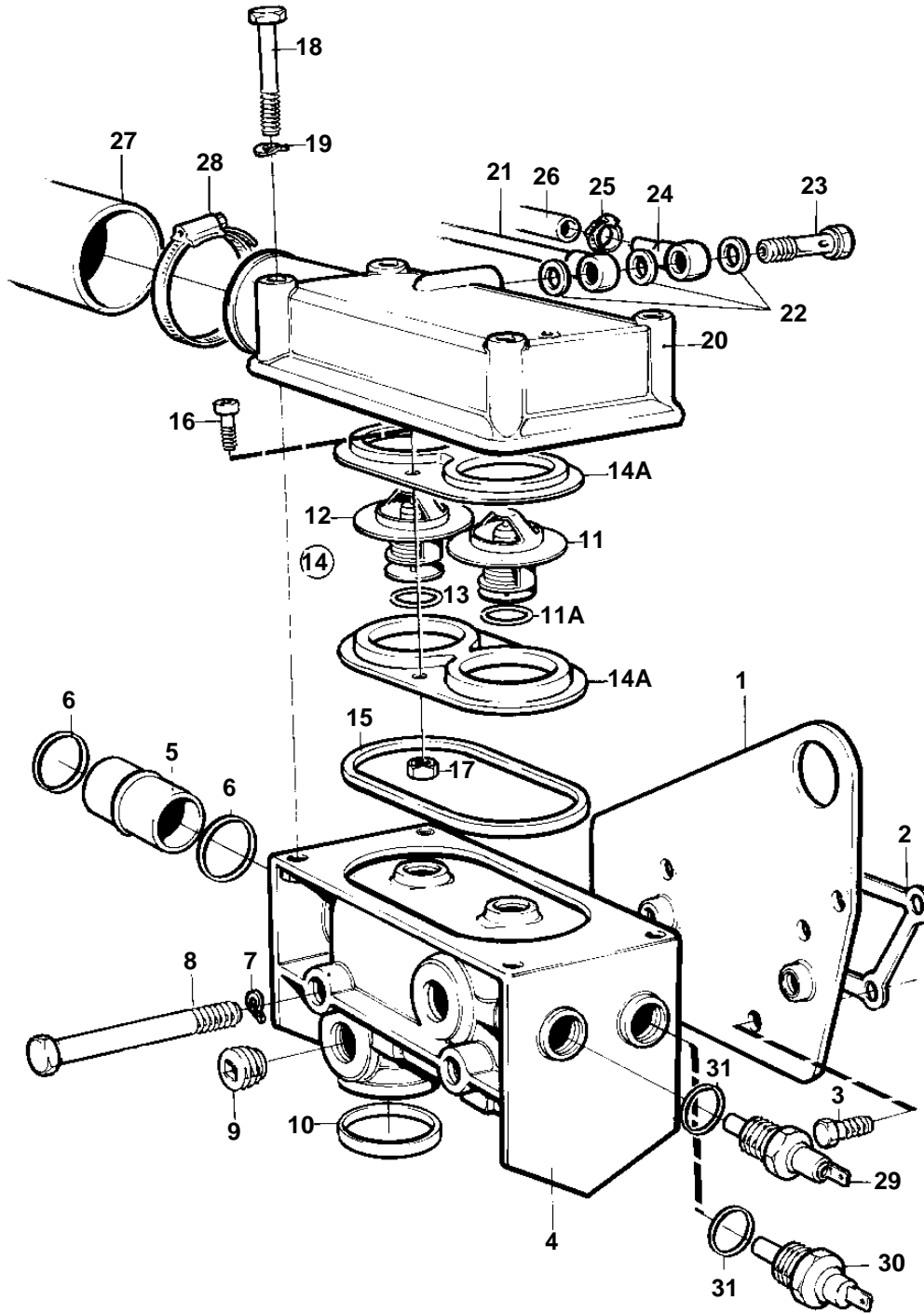


TAMD41B



**THERMOSTAT HOUSING WITH INSTALL. COMPONENTS FOR KEEL
COOLED VERSION**

02B

TAMD41B

REF	PART NO.	QTY	DESCRIPTION	NOTES
1	860518	1	Adapter	
2	1542187	1	Gasket	
3	955295	4	Screw	
4	838704	1	Thermostat housing	
5	838739	1	Tube	
6	968927	2	O-ring	
7	941907	2	Spring washer	EARLY TYPE
8	965183	2	Flange screw	
9	952077	2	Plug	
10	1542198	1	Sealing ring	
11	876128	1	Thermostat kit	81%Z9
11A	416033	1	· Sealing ring	
12	875849	1	Thermostat kit	81%Z9. WITH AIR VENTING VALVE
13	416033	1	· Sealing ring	
14	876145	1	Retainer kit	
14A	859229	2	· Retainer	
15	838807	1	· Sealing ring	
16	963554	2	· Screw	
17	966170	2	· Nut	
18	965217	4	Flange screw	
19	941907	4	Spring washer	EARLY TYPE
20	860449	1	Cover	
21	860215	1	Air vent hose	TURBO-THERMOSTAT HOUSING
22	11994	3	Gasket	
23	968194	1	Hollow screw	
24	858750	1	Banjo nipple	
25	943470	1	Hose clamp	
26	943366	X	Hose	L = 1940 MM. EXPANSION TANK-THERMOSTAT HOUSING
27	860968	1	Hose	THERMOSTAT HOUSING-OUTLET
28	943477	1	Hose clamp	
29		1	CONTACT	SEE GROUP 3
30		1	TEMPERATURE SENSOR	SEE GROUP 3
31		2	GASKET	SEE GROUP 3